

# Disassembly and cleaning instructions



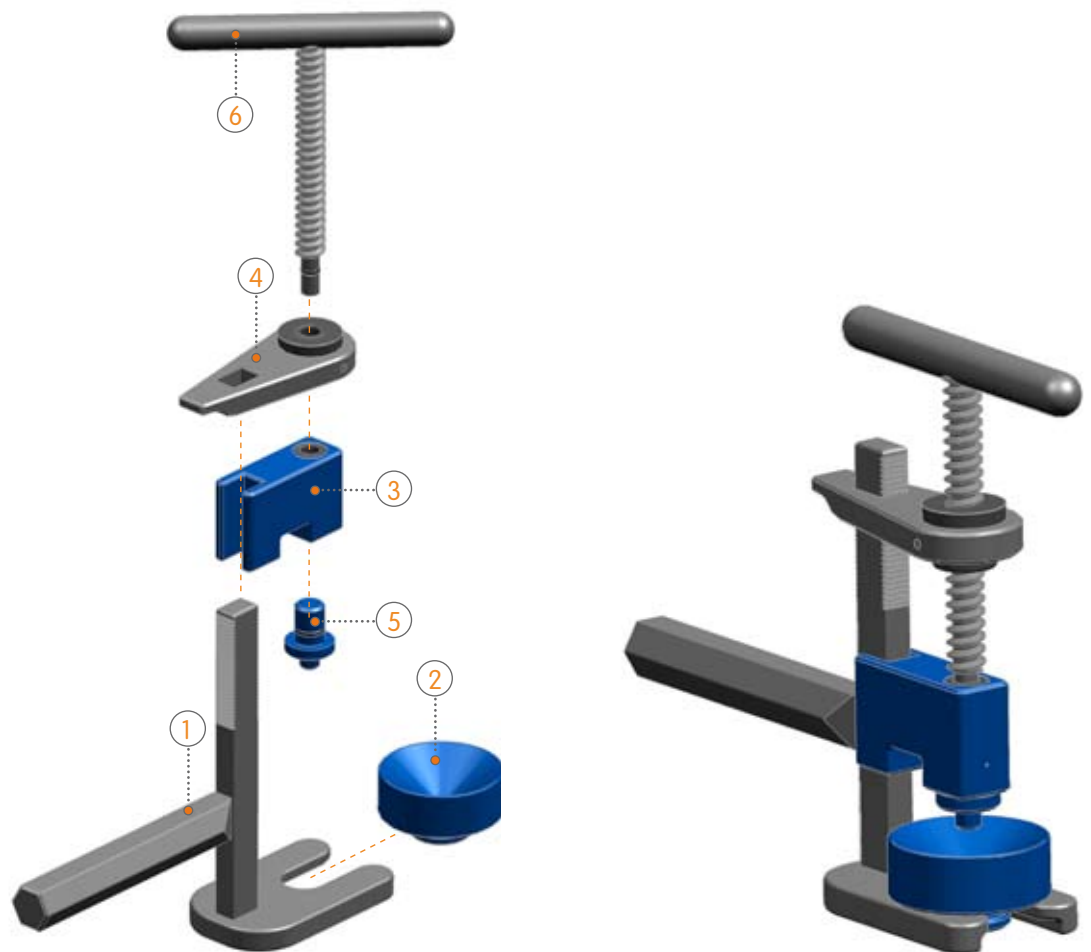
Insert-Ball Head Press

SAP/Art. No. 75017089/21000505

These disassembly and cleaning instructions are designed to supplement the existing brochure «Instructions for instrument preparation», Lit. No. 1363.

## Key

- 1 Stand
- 2 Base
- 3 Lengthwise guide
- 4 Pendulum
- 5 Buffer
- 6 Handle



## Disassembly

In accordance with the instructions for instrument preparation Lit. No. 1363

The following applies in addition to or in place of the instructions:

- Assembly is in reverse to disassembly
- Remove the handle (6), pendulum (4), lengthwise guide (3) and buffer (5) from the stand (1)
- Remove the base (2) from the stand (1)
- Remove the lengthwise guide (3) with the buffer (5) from the handle (6)
- Remove the buffer (5) from the lengthwise guide (3)
- Rotate the handle (6) from the pendulum (4)
- Do not remove any of the O-rings!

## Pre-cleaning

In accordance with the instructions for instrument preparation Lit. No. 1363

The following applies in addition to or in place of the instructions:

- Manually preclean all cavities, threads, teeth and grooves with O-rings

## Machine cleaning and disinfection

In accordance with the instructions for instrument preparation Lit. No. 1363

The following applies in addition to or in place of the instructions:

- Please take special care to ensure that any cavities can be properly rinsed

## Drying

In accordance with the instructions for instrument preparation Lit. No. 1363

The following applies in addition to or in place of the instructions:

- All cavities and grooves with O-rings can also be dried with pressurized air

## Checking and testing

In accordance with the instructions for instrument preparation Lit. No. 1363

The following applies in addition to or in place of the instructions:

- Check the threads, teeth and O-rings for damage and faults

## Servicing

In accordance with the instructions for instrument preparation Lit. No. 1363

## Assembly

In accordance with the instructions for instrument preparation Lit. No. 1363

The following applies in addition to or in place of the instructions:

- Press the base (2) into the stand (1) until it engages
- Press the buffer (5) into the lengthwise guide (3) until it engages
- Press the handle (6) into the lengthwise guide (3) until it engages

