

Disassembly and cleaning instructions



for Extractor PE-Insert

SAP/Art. No. 75017083/21000499

These disassembly and cleaning instructions are designed to supplement the existing brochure «Instructions for instrument preparation», Lit. No. 1363.

Key

- 1 Rod
2. Clip
3. Insert adapter

Disassembly

In accordance with the instructions for instrument preparation Lit. No. 1363

The following applies in addition to or in place of the instructions:

- Remove the clip (2) from the rod (1)
- Remove the insert adapter (3) from the base of the rod (1).
The O-ring remains in position on the insert adapter (3)

Pre-cleaning

In accordance with the instructions for instrument preparation Lit. No. 1363

The following applies in addition to or in place of the instructions:

- All cavities and teeth should be pre-cleaned manually
- Manually pre-clean the groove thoroughly with the O-ring on the insert adapter (3)

Machine cleaning and disinfection

In accordance with the instructions for instrument preparation Lit. No. 1363

The following applies in addition to or in place of the instructions:

- Please take special care to ensure that any cavities can be properly rinsed

Drying

In accordance with the instructions for instrument preparation Lit. No. 1363

The following applies in addition to or in place of the instructions:

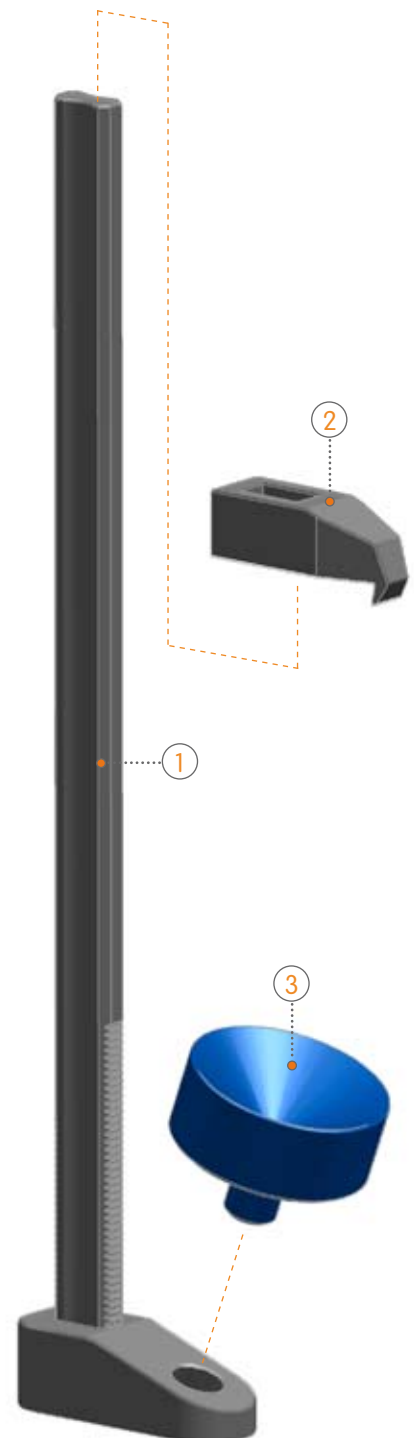
- The cavities and the groove with the O-ring on the insert adapter (3) can also be dried with pressurised air

Checking and testing

In accordance with the instructions for instrument preparation Lit. No. 1363

The following applies in addition to or in place of the instructions:

- Check the teeth and the O-ring on the insert adapter (3) for damage and faults



Servicing

In accordance with the instructions for instrument preparation Lit. No. 1363

Assembly

In accordance with the instructions for instrument preparation Lit. No. 1363

The following applies in addition to or in place of the instructions:

- Assembly is in reverse to disassembly
- The clips (2) should be fitted so that the nose faces towards the insert adapter (3) (in accordance with the picture)
- The insert adapter (3) should be pressed into the base of the rod (1) until it engages

