

F

DYONICS® 25 Fluid Management System, Control Unit, Tube Sets, and Accessories ..	F-1
DYONICS 25 Carts	F-3
InteliJET® Tube Sets.....	F-4
Smith & Nephew Access 15 Irrigation System	F-5
ARTHROPAK®	F-6
Customized Procedure Kit.....	F-6

Fluid Management

Product Highlights



DYONICS 25 Fluid Management System
Easy to use, high-flow pump with consistent performance in all arthroscopic applications. Includes a DYONICS 25 Control Unit, fluid level sensors, remote control, and more.

DYONICS 25 Fluid Management System
Page F-1



DYONICS 25 Tube Sets
A variety of tubing options are available, including cost-effective day tubing

DYONICS 25 Tube Sets
Page F-2

DYONICS[®] 25 Fluid Management System, Control Unit, Tube Sets, and Accessories

DYONICS 25 Fluid Management System

The Smith & Nephew DYONICS 25 Fluid Management System is an easy to use, high-flow pump with consistent performance in all arthroscopic applications.

Easy to set up and use

- No calibration required
- Simply insert the tubing cassette and select the cannula size

High flow and consistent performance

- Flow rates up to 2.5 lpm
- Maintains stable pressure in the joint and also maintains clear field of view

Multiple tube set options

- A variety of tubing options are available, including day tubing, which enables you to select the most cost-effective solution for your facility

Compatible with the CONDOR[®] Control System

- Integration with the CONDOR Control System allows operation of this and other medical devices from the sterile field, via wireless technology



DYONICS 25 Control Unit Set

REF	Display Language	Description
Each Smith & Nephew DYONICS 25 Control Unit Set (country specific) includes a DYONICS 25 Control Unit, country-specific power cord, shaver interface cable, biomed test key, user manual, and quick start guide.		
72200207	English (U.S.)	DYONICS 25 Control Unit Set
72200210	English (U.K.)	DYONICS 25 Control Unit Set
72200213	German	DYONICS 25 Control Unit Set
72200216	Spanish	DYONICS 25 Control Unit Set
72200219	French	DYONICS 25 Control Unit Set
72200222	Italian	DYONICS 25 Control Unit Set
72200225	Swedish	DYONICS 25 Control Unit Set
72200228	Dutch	DYONICS 25 Control Unit Set
72200231	Portuguese	DYONICS 25 Control Unit Set
72200234	Danish	DYONICS 25 Control Unit Set
72200237	Norwegian	DYONICS 25 Control Unit Set
72200552	Korean	DYONICS 25 Control Unit Set

DYONICS[◇] 25 Fluid Management System, Control Unit, Tube Sets, and Accessories

DYONICS 25 Fluid Management System Tube Sets

It is recommended that DYONICS High-flow Cannulas are used with the DYONICS 25 Fluid Management System to ensure optimum performance. Reference Section C.



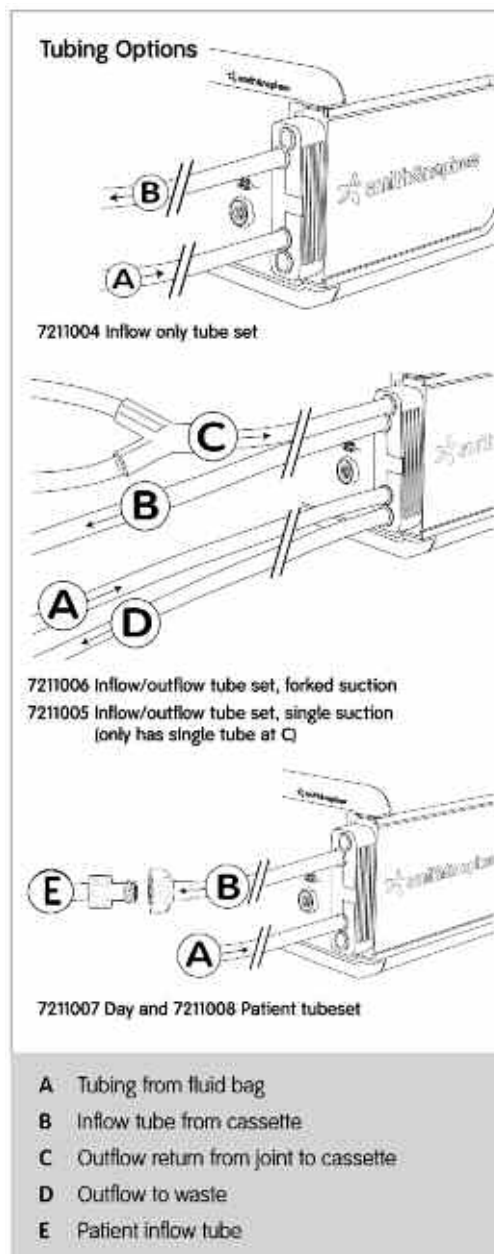
REF	Description
7211004	DYONICS 25 Inflow Tube Set, 3 per box
7211005	DYONICS 25 Inflow/Outflow Tube Set, single suction, 3 per box
7211006	DYONICS 25 Inflow/Outflow Tube Set, forked suction, 3 per box
7211007	DYONICS 25 Day Tube Set (must be used with 7211008), 3 per box
7211008	DYONICS 25 Patient Tube Set (must be used with 7211007), 12 per box

Accessories



REF	Description
7211011	LEVELERT [®] II Fluid Level Sensor
7211009	DYONICS 25 Luer-to-Colder Adaptor (InteliJET [®] cannula adaptor), 12 per box
72200891*	DYONICS 25 Wireless Remote, non-autoclavable
72201017	DYONICS 25 Wired Remote, non-autoclavable
7204483	Disposable multi bag adapters ("Y" tubing), sterile, 2 to a set (6 sets per box)
8005600	U.S. power cord
8013378	U.K. power cord
8013380	International power cord
91000268	Shaver Interface Cable
91000290	Biomed test key

* item shown



DYONICS[◇] 25 Carts

DYONICS 25 Carts

REF	Description
7211014	Procedure Cart
72200747	Procedure cart with transformer and electrical outlets
72200888	Transformer upgrade kit (upgrades a 7211014 cart to a 72200747 cart)



InteliJET[◇] Tube Sets

InteliJET Tube Sets



REF	Description
4298	Disposable Tubing Set, inflow/outflow forked suction, sterile, box of 3.
7205684*	Disposable Tubing Set, inflow/outflow, single suction line, sterile, box of 3 Inflow/outflow tubing with one suction line for direct connection to shaver
7204727	Disposable Tubing Set, inflow only, sterile, box of 3. With the inflow only tubing set, the InteliJET can be used as a stand-alone pump
7204483	Disposable multi bag adapters ("Y" tubing), sterile, 2 to a set (6 sets per box)

InteliJET Accessories



REF	Description
7205392	Remote Control for InteliJET Control Unit, wireless, (uses 9V battery) Wireless Remote Control can be used from the operative field when placed in disposable, sterile plastic bag provided with each tubing set.



3982	LEVELERT [®] Fluid Level Sensor with cord for 120 VAC Control Unit
3982G	LEVELERT Fluid Level Sensor with cord for 230 VAC Control Unit
	LEVELERT Fluid Level Sensors allow the circulator to set the low fluid level indicator, which sounds when the fluid bags are low.

4353	Filters for Suction, box of 3
4423	Transducer (sensor) for InteliJET Control Unit
8012271	Replacement Protective Transducer Cap (metal)
8011678	Spring (behind transducer)

* Item shown

Smith & Nephew Access 15 Irrigation System



- Maximum flow rate of 1.5 L/min for procedural speed and efficiency
- Cost savings by conserving saline and reducing bag changes
- Wireless remote control for full-system control from the sterile field
- Remote foot pedal for easy operation of wash function

The Smith & Nephew Access 15 Irrigation System is the fast and easy system for accurate joint pressure management. The snap-on tubing cassette makes setup a simple one-hand operation. Advanced Flow Regulation (AFR) delivers optimal flow rates for stable and accurate in-joint pressure with any inflow setup. For optimum visualization, the system's wash function is designed both to clear debris and distend the joint immediately in the event of sudden fluid loss.

Smith & Nephew Access 15 Irrigation System

REF	Description
7205933	Access 15 System, U.S., 150 mmHg, includes control unit, remote control, and power cord
7205935	Access 15 System, Intl. 200 mmHg, includes control unit, remote control, and power cord

Smith & Nephew CONDOR®-Enabled Access 15 Irrigation System

7209781	CONDOR-Enabled Access 15 System, U.S., 150 mmHg, includes control unit, remote control, and power cord
7209782	CONDOR-Enabled Access 15 Control Unit, U.S., 150 mmHg
7209783	CONDOR-Enabled Access 15 System, Intl. 200 mmHg, includes control unit, remote control, and power cord
7209784	CONDOR-Enabled Access 15 Control Unit, Intl. 200 mmHg

Smith & Nephew Access 15 Tube Sets

7205699	Inflow-only disposable tube set for use with the Access 15 Irrigation System, includes inflow-only tubing, sterile, box of 10
7205931	Inflow/Outflow disposable tube set for use with the Access 15 Irrigation System, includes inflow-only tubing, sterile, box of 10

Smith & Nephew Access 15 Optional Accessories

7205797	Remote Control, wireless, operates all functions of the Access 15 Irrigation System. Additional remotes can be purchased separately
7204483	Disposable multi bag adapters ("Y" tubing), sterile, 2 to a set (6 sets per box)
7205798	Foot Pedal, operates wash function
7205932	Cart with irrigation poles to hang fluid bags

ARTHROPAK[◇]

Customized Procedure Kit



ARTHROPAK Customized Procedure Kit

Smith & Nephew DYONICS[®] ARTHROPAK Customized Procedure Kits provide increased operational efficiencies and reduced supply expense. You customize your kit with your selection of disposable Smith & Nephew products for any arthroscopic procedure at a reduced cost!

- Free customized service
- Reduced product cost
- Save valuable time and demand on staff
- Streamlined ordering process
- Increased standardization
- Reduced inventory

DYONICS ARTHROPAK Customized Procedure Kits reduce the number of SKUs that need to be ordered and aggregate purchasing volume of arthroscopic products by enabling purchase from a single supplier. Please ask your local sales representative to demonstrate how DYONICS ARTHROPAK Customized Procedure Kits can benefit your practice.